



The ventilation units has been designed to expel the warm air from the top of the rack cabinets and ensuring correct air circulation.

- 2 Ventilation units
- Analog Thermostat + On/off switch control
- Top plate mounting
- Mounting screws
- Power cord with schuko plug

List Code: PA CC WL FN T2

Technical Data

Dimension HxWxD in mm	44mm x 340mm x 190mm
Product Code For Colour	<i>RAL 9005 Black color = PA BL WL FN T2 or RAL 7035 L.gray color = PA LG WL FN T2</i>
Individual Packing Size HxWxD (mm)	90*400*230
Unit Net/Gross Weight	1,9 kg / 2,15 kg

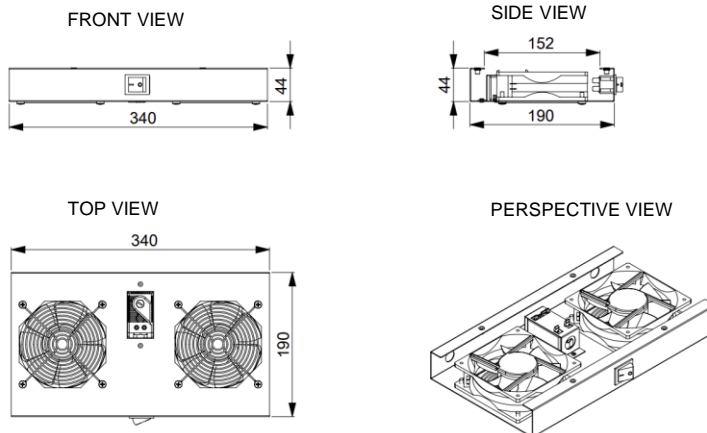
Mechanical Characteristics

Material Type	Sheet Steel
---------------	-------------

Power Characteristics

Voltage Range	220/240
Freq Hz	50/60
Current (A)	0,14A
Power (W)	22
Speed RPM	2700/3000
Noise Level in (dBA)	40/47dBA
Air Flow M3/Hr & CFM	133/162 & 82/95

Drawings



General information of the Fan units

EMC Applied standards Report Nr: EMC2019258.01

- EN 55032 Emission – Electronic compability of multimedia equipment
- IEC EN 61000-3-2 Limits for harmonic currents emission
- EN 61000-3-3 +A1 Limitation of voltage fluctiations and flicker
- EN 55024 +A1 Immunity – information Technology equipment
- EN 61000-4-2 Electrostatic discharge immunity test
- EN 61000-4-3 +A1+A2 Radiated RF electromagnetic field immunity test
- EN 61000-4-4 Electrical fan transient/brust immunity test
- EN 61000-4-5 +A1 Surge immunity test
- EN 61000-4-6 Immunity to RF conducted disturbances
- EN 61000-4-8 Power frequency magnetic field immunity test
- EN 61000-4-11 +A1 Voltage dips, short interruptions and voltage variations immunity test
- EN 61000-6-3 +A1 - +AC Generic emission standard. Residential, commercial and light industry

Overview of results

Emission Test	Standards	Results
• Mains conducted disturbance voltage	EN 55032 Class A	PASS
• Radiated electromagnetic field	EN 55032 Class A	PASS
• Harmonic current emission	EN 61000-3-2	PASS
• Limitation of voltage fluctuations	EN 61000-3-3	PASS
• Discontinuoud istrubance (clics) on AC powerleads	EN 61000-6-3	PASS

Immunity Test	Standards	Results
• Electrostatic discharges (ESD) immunity	EN 55024, EN 61000-4-2	PASS
• Radiated EM field immunity	EN 55024, EN 61000-4-3	PASS
• Electrical fast transient (EFT) Burst transient immunity	EN 55024, EN 61000-4-4	PASS
• Surge transient immunity	EN 55024, EN 61000-4-5	PASS
• Conducted RF disturbances immunity	EN 55024, EN 61000-4-6	PASS
• Power frequency magnetic field immunity	EN 55024, EN 61000-4-8	N/A
• Power supply voltage interruptions & dips immunity	EN 55024, EN 61000-4-11	PASS

LVD / information technology equipment safety Report Nr: ESIM62368_1C

Standard : IEC 62368-1 :2018

The prduct fulfils the requirements of the *IEC 62368-1 :2018* EN IEC 62368-1 :2020 + A11:2020 standards

Additional Information

- Supply cord + Schuko plug TS IEC 60884-1+A1+A2
- Supply cord + UK plug BS 1363-1
- On/Off switch TS EN61058-1
- Analog Thermostat EN 60730-1 / EN60730-2-9
- Connector IEC/EN 60950-1
- Fan IEC/EN 60950-1